



QUESTIONNAIRE

SLIDE GATES

EKOTON Industrial group

9-300 Elk, Poland, ul. Strefowa, 9, tel.: 48 (87) 620 06 02
1133 Budapest, Hungary, Váci út 110, tel: +3 (61) 239 52 68
LT-03225, Vilnius, Lithuania, Mindaugo str. 15-1, tel: +70 (6) 522 55 60
www.ekoton.com e-mail: eu@ekoton.com

CUSTOMER'S INFORMATION:

Company name:

Address of the company:

Contact person: Position:

(First name, Family name)

Tel.: Fax: E-mail:

SLIDE GATES

page1 from 3

1. Hydrostatic head:

..... mm of water column.

2. Type and size of overlapping object:

- Open channel
- Rectangular hole in the wall Width(A),mm Height(B),mm
- Circular hole in the wall Diameter..... mm
- Pipe

3. The function of slide gates:

- Full channel closing: Open / Close
- Flow discharge regulation (attach the outline with level points)

4. Mounting method:

- Metal anchors Concrete:
- Chemical anchors Strained Nontensioned

Continue on page 2

SLIDE GATES

Concrete casting into tothing

Dimensions of the tothing, mm:
Width(F)..... Depth(G).....

Flangemounting
(attach the outline of the flange)

Mating flange:
 Required Not required

5. The spatial arrangement of the gate:

Vertical Horizontal

6. For spatial slide gates indicate:

The height from the bottom of overlapped section to the surface (C), mm

Fasten place of external column: channel (indicate the size D*E, mm) or concrete floor

7. The drive type:

Electric motor Manual gear:
 Flywheel 300 mm Flywheel 480 mm

8. The way to move the gate:

Extendable screw (takes additional space in height) No extendable screw

9. Working environment:

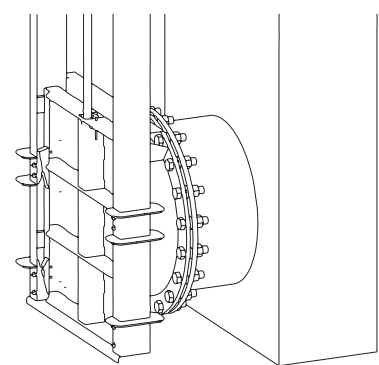
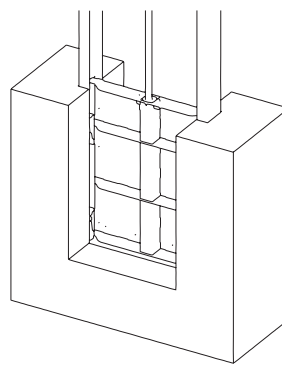
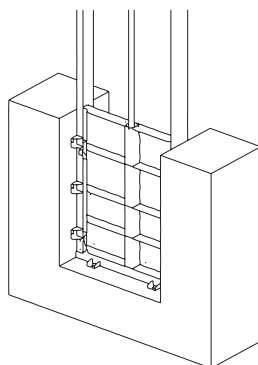
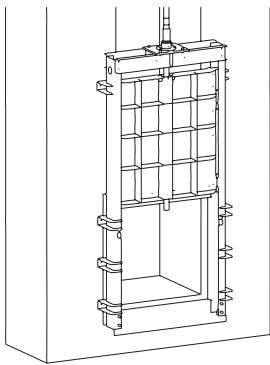
Water (1000 kg/m³) Settled grit (1600 kg/m³) other (indicate density).....

10. Construction materials:

Special (please specify) Standard: steel AISI 304, compaction EPDM

11. Way of installing the gate

Wall Channel Tothing Flanged



ADDITIONAL INFORMATION:

.....
.....
.....
.....

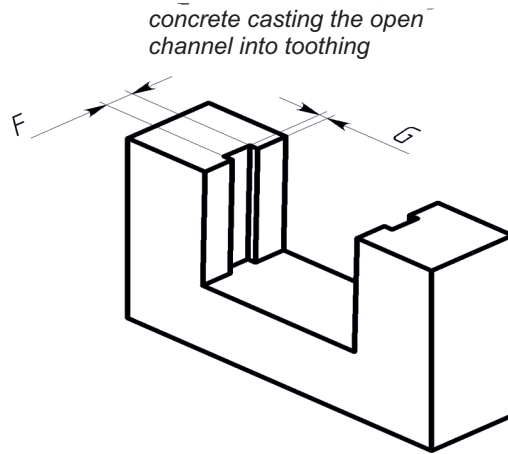
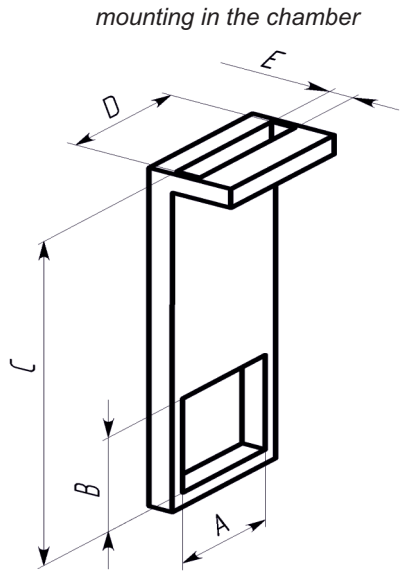
CUSTOMER:

DATE: «.....» 20

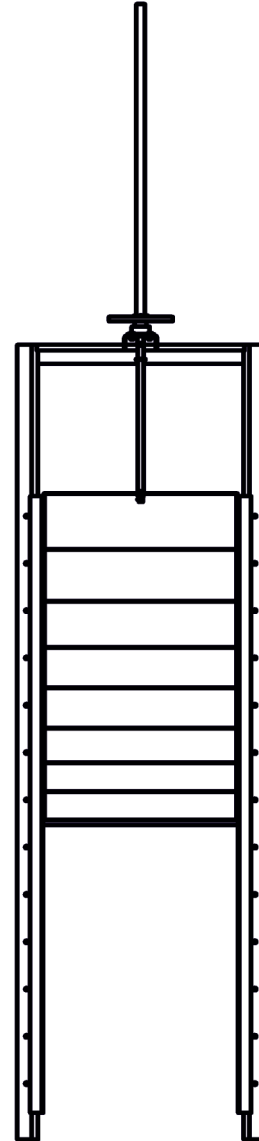
Continue on page 3

Examples of construction of slide gates

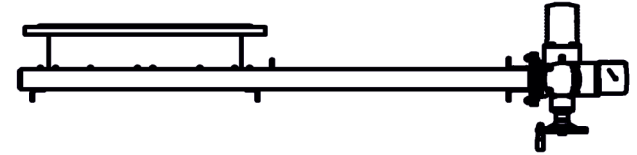
page 3 from 3



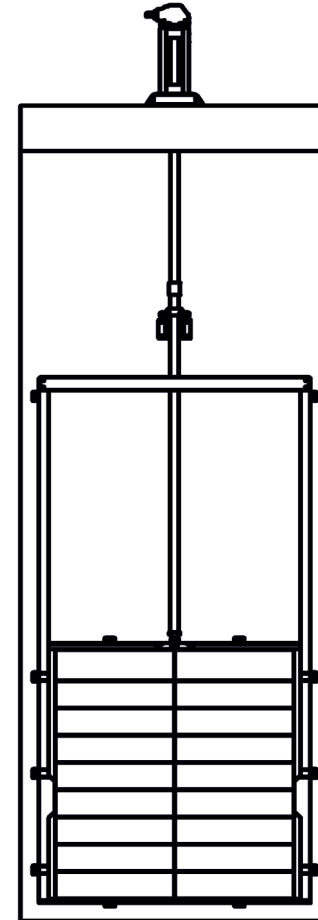
the control gates with extendable screw and flywheel



horizontal slide gate with flange mounting



lockable slide gate with one extendable screw and manual gear



lockable slide gate with two extendable screws and electric drive

