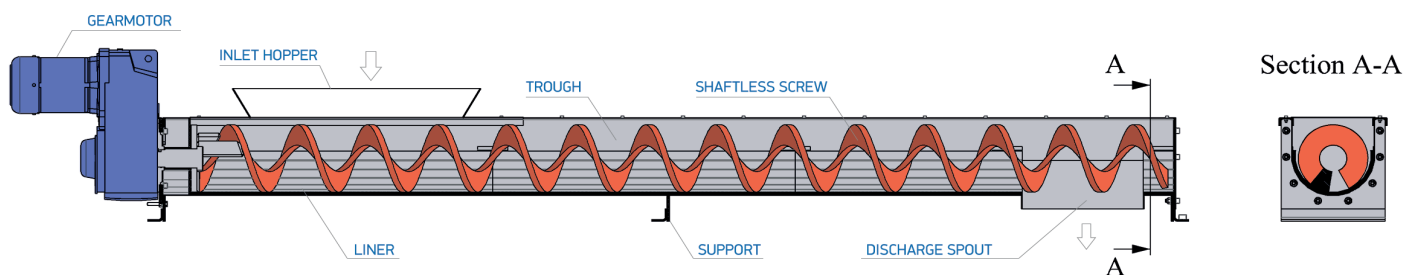
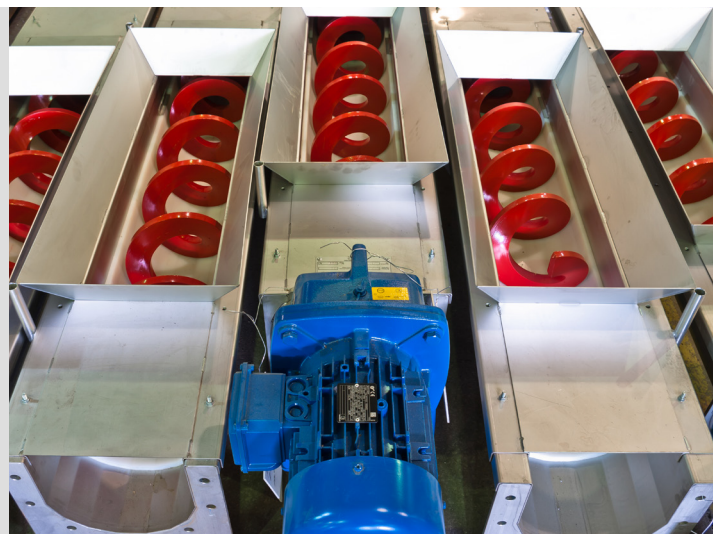


## Ekoton Industrial Group Screw Conveyor KVE

To get maximum efficiency every EKOTON Conveyor is custom built by highly skilled specialists.

Screw Conveyors are built to transport different types of materials generated during wastewater treatment, such as screenings, grit, and dewatered sludge.



Depending on demand, different types of Conveyors may be offered:

- » horizontal or inclined;
- » pulling, pushing or reversible.

Depending on technological requirements, Conveyors can operate in either continuous or intermittent modes.



On request, Conveyors can be equipped with:

- » manually/automatically operated slide gates;
- » level sensors;
- » motion sensor;
- » safety stop control with cable break detection;
- » etc.



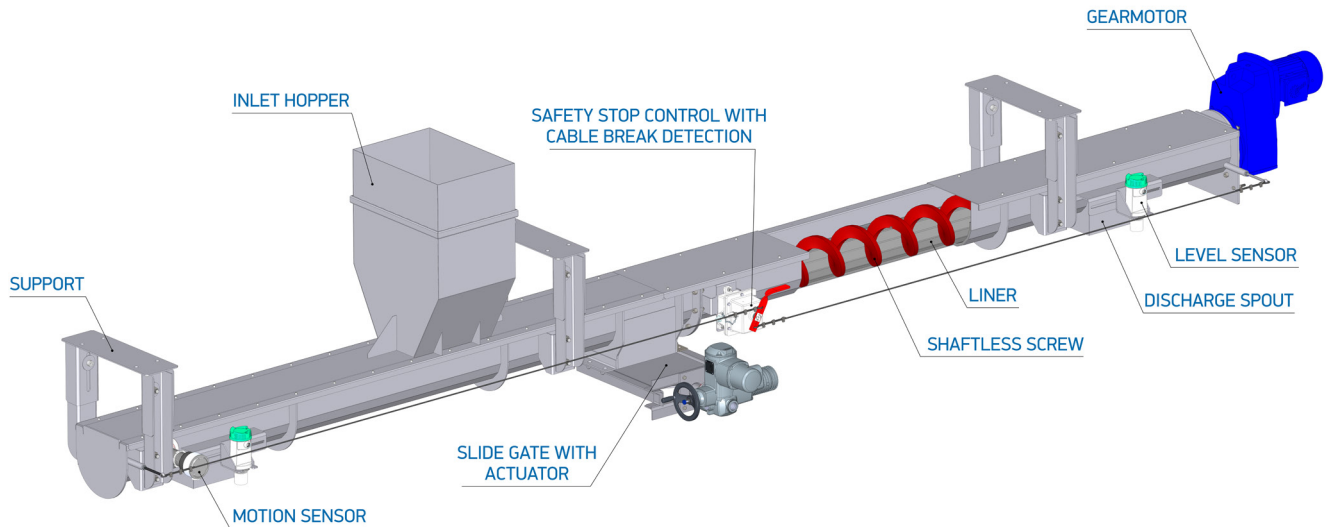
Parameters:

- » capacity up to 65 m<sup>3</sup>/h;
- » transportation length up to 30 m;
- » inclination angle up to 45°;
- » nominal screw diameter 190, 230, 280, 320, 365, 420, 460 mm.

CONTACT US FOR MORE DETAILS!

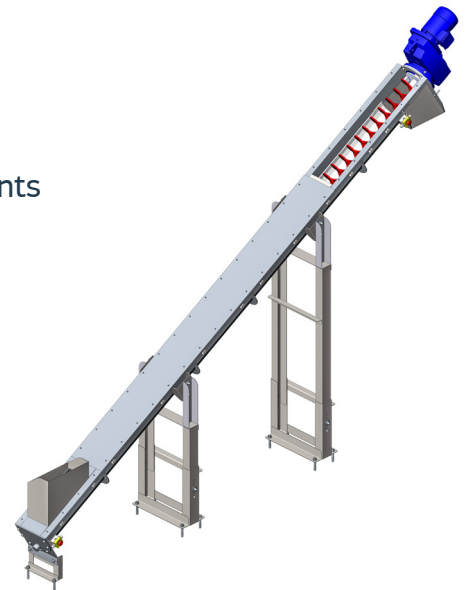
**EKOTON Industrial Group**  
International Sales Department

☎ +48 87 620 06 02  
✉ eu@ekoton.com  
🌐 www.ekoton.com



### Advantages / Features:

- » seamless shaftless screw made by unique technology enables more efficient transportation, prevents clogging and reduces drive load. For heavy load applications special double or triple screws are recommended;
- » no bearing construction reduces maintenance work;
- » totally enclosed design provides clean and safe workspace, prevents from spillage and odours;
- » synchronized operation with other equipment reduces energy consumption;
- » Conveyor body is made of AISI 304 stainless steel. Option in AISI 316 on demand;
- » screw is made of St.52.3 painted carbon steel or high strength alloys up to 350 BHN. Stainless steel is possible on request;
- » replaceable liners made of UHMW-PE or ROBALON protect and ensure long life of Conveyor.



One of EKOTON's core values is responsibility. We not only supply the highest quality equipment, but we are also responsible for its performance during entire service life.

CONTACT US FOR MORE DETAILS!

**EKOTON Industrial Group**  
International Sales Department

☎ +48 87 620 06 02  
✉ eu@ekoton.com  
🌐 www.ekoton.com